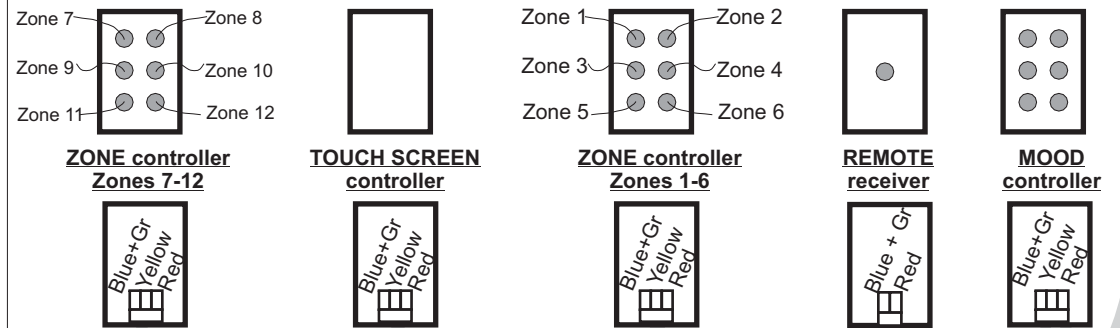


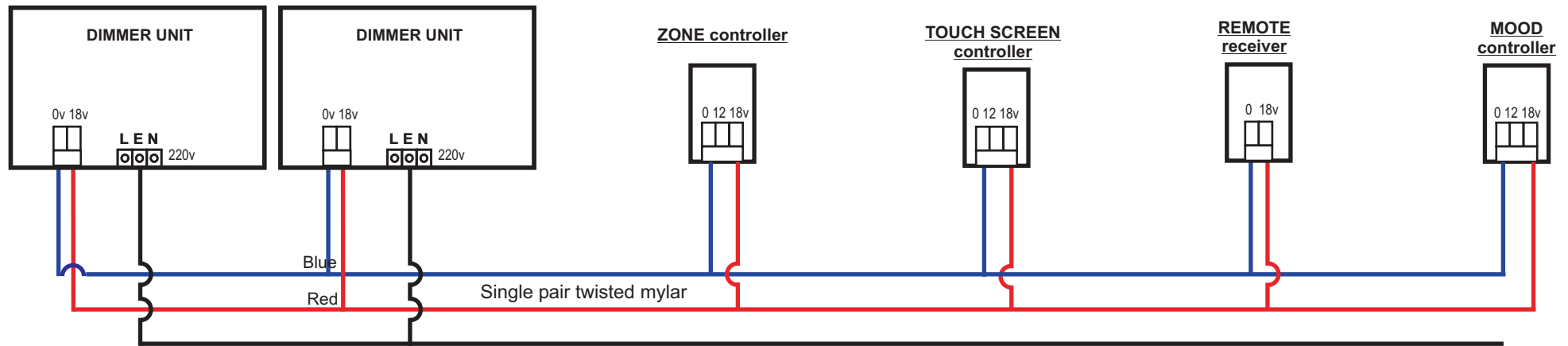
IMPORTANT NOTES

- 1/ A maximum of 6 controllers per Dimmer Unit is recommended, with no more than 12x in total regardless of qty Dimmer Units. **NB: When including a touch screen, this will take the place of 4x controllers.** Therefore max will be 8x plus touch screen.
- 2/ Max 3000 watts per Dimmer Unit with max 1000 watts per circuit. For a circuit larger than 1000 w, a booster must be added. For low voltage do not exceed 80% of the above wattages. For low wattage circuits (LED) Voltage Stabilisers are required.
- 3/ **NB. 13 amp max circuit breaker per Dimmer Unit.**
- 4/ Dimmer Units to have separate circuits.
- 5/ If three Dimmer Units used together for 18 zone system, then on one Dimmer Unit the bridges need to be removed.
- 6/ Where transformers are required, MZ will be compatible with leading edge transformers. Trailing edge only transformers will not work.
- 7/ 12V PSU is required where Touch Screen Controllers (TSC) are used .
- 8/ Data cable specification: single pair twisted mylar.
- 9/ Data connections are polarity sensitive. Refer to schematic (page 2).

WALL CONTROLLERS



DATA wiring diagram



Drain wire recommended to be joined and insulated at junctions.

DRAIN WIRE made safe.

